

VENT VALVE ¼ NPTH

TECHNICAL FEATURES



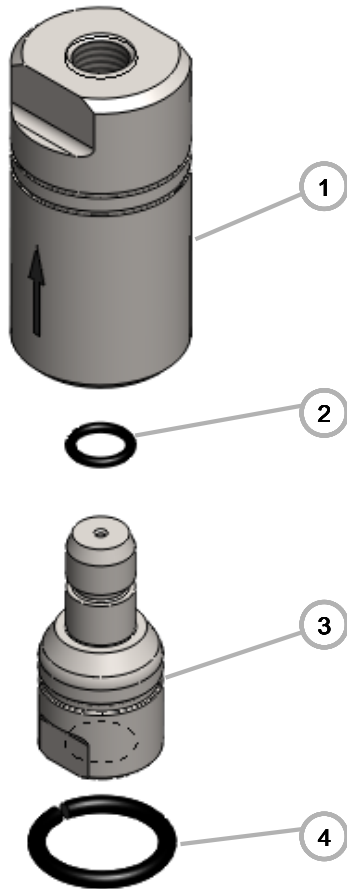
Model: CI – 1100 – 4 – V – SS Brand: CODEIRON

Origin: Argentina

Norm: NAG 441-2

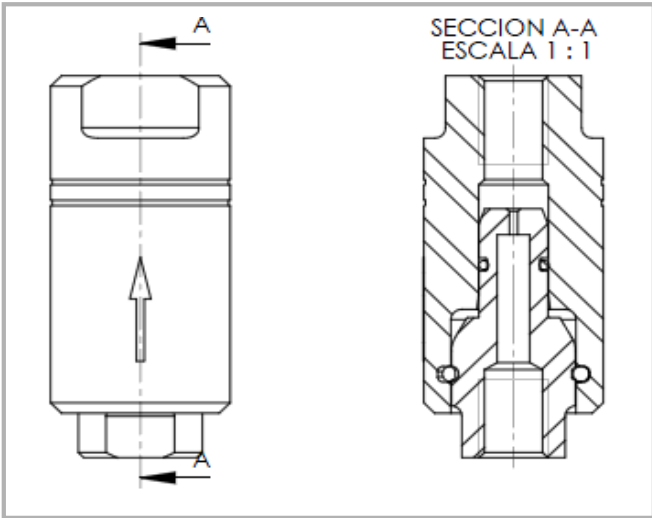
| | |
|---------------------|------------------------------------|
| Pressure | Nominal 20 BAR. Max 30 BAR. |
| Service Temperature | -10°C / 60°C |
| Standard connection | ¼ NPTH |
| Passage | 2mm |
| Action | Fast decouple traction 40-60 Kg |
| Flow | 100 M ³ / H |
| Mounting Position | Vertical / horizontal |
| Size | 33 x 33 x 69 Cm |
| Weight | 0.4 Kg |
| Aplication | Gas |
| Fluids | Gas |

MATERIAL CHARACTERISTICS



MODEL: CI - 1100 - 4 - V - SS

TRANSVERSAL VIEW

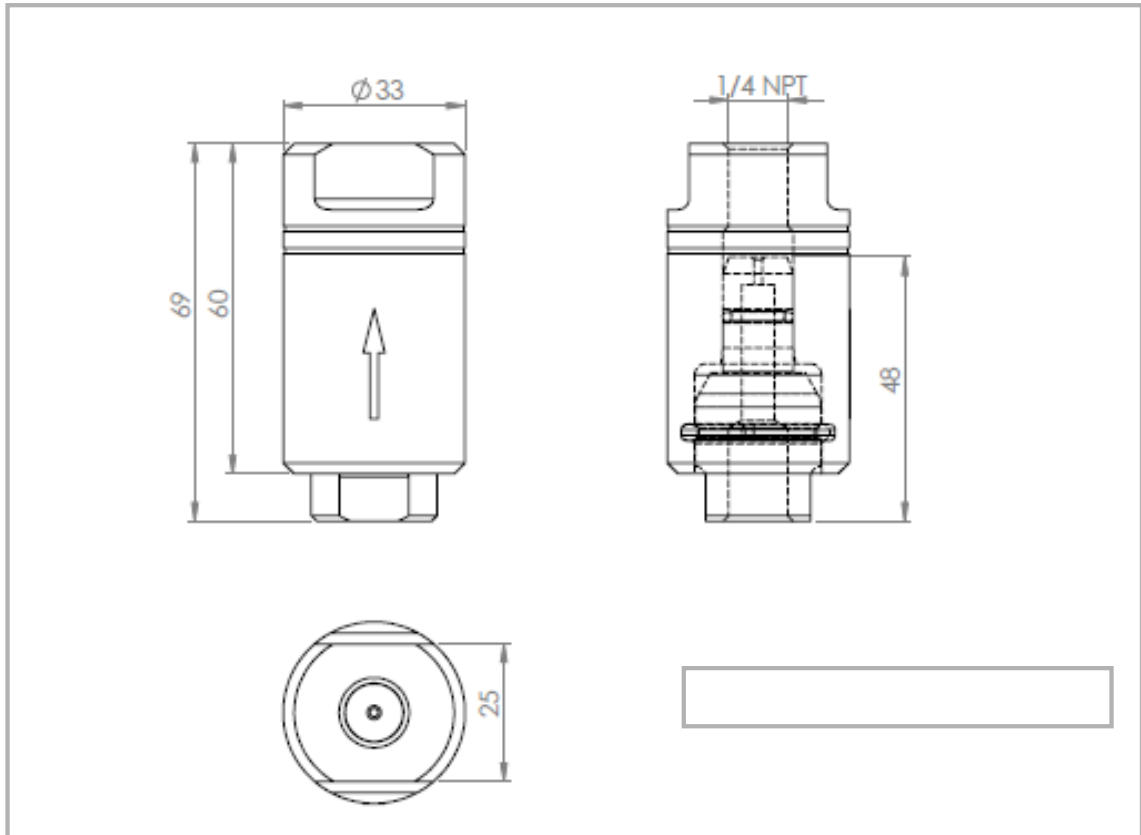


Repair kit available

| VENT 1/4 NPT | | | | |
|---------------------|----------------------|------------------|--------------|-------|
| POS. | REF. | DESCRIPTION | MATERIAL | CANT. |
| 1 | P - 1100 - 4-V - SS | OUT 1/4NPT | AISI 304 | 1 |
| 2 | 2- 012 | Oring D12,6x1,78 | Nitrilo 90Sh | 1 |
| 3 | P - 1100 - V - E - 4 | IN 1/4NPT | AISI 304 | 1 |
| 4 | 8403 | Oring D20x3 | Nitrilo 90Sh | 1 |

GENERAL DIMENTIONS

MODEL: CI – 1100 – 4 - V – SS



Valve 1/4 NPT



General view



Note

It is advisable to install the valve with flexible of about 300mm located at the outlet of the valve so that it can pivot and the tensile force results in the same direction of the longitudinal axis of the valve.

Annual maintenance is recommended under an authorized technical service.