

DESCRIPTION: Three Ways Ball Valve (Loading Valve, high performance).

BRAND: Codeiron™
MODEL: CI-1066-4-SS-HP (Admits repair Kit).
ORIGIN: Made in Argentina.
NORM: NAG 441-2.

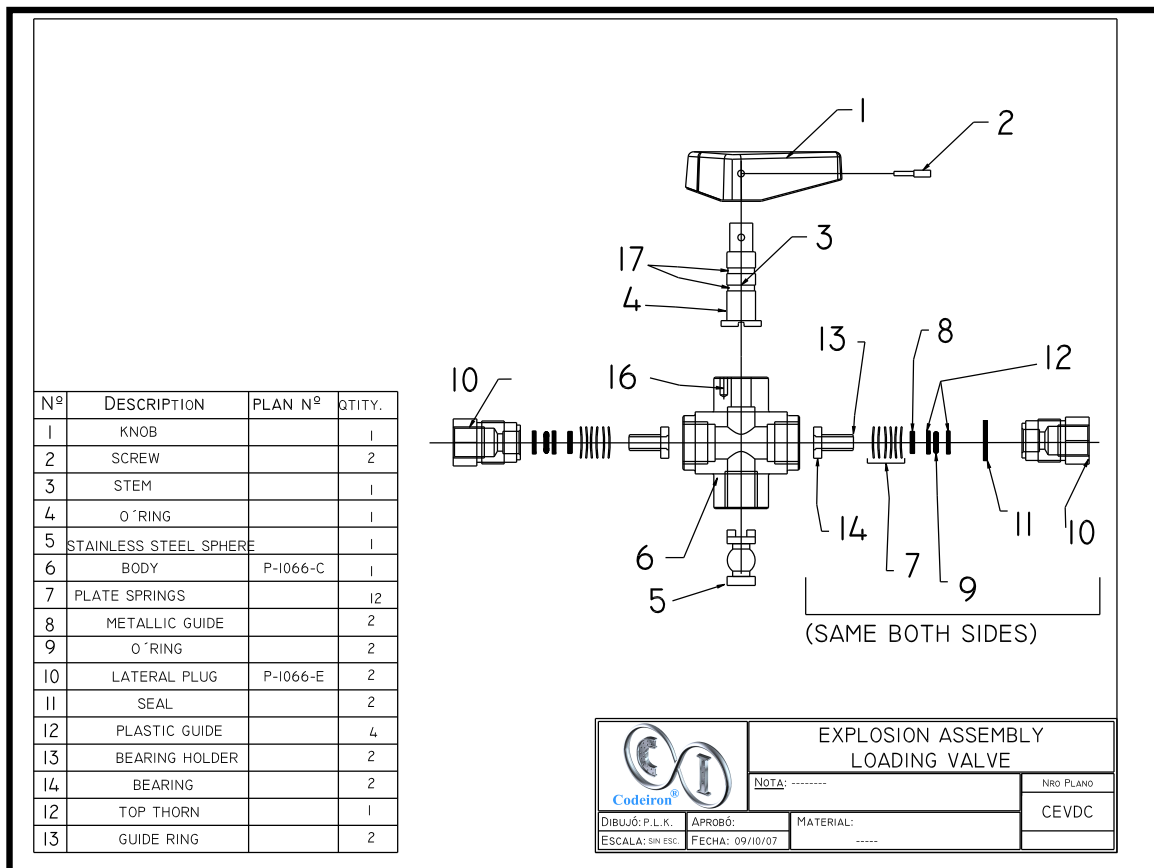
CONSTRUCTION MATERIALS:

BODY: Stainless Steel AISI 316.
BALL: Stainless Steel Duplex.
SEATS: Peek-Stainless Steel.
SEALS: Viton / Teflon.
BUSHINGS: Peek



TECHNICAL FEATURES:

CONNEXION: 1/4" NTPF.
DRIVE: Floating ball over seats.
PASSAGE: 5MM.
WORK PRESSURE: 3600 PSI.
MAXIMUM PRESSURE: 6000 PSI.
VOLUME OF FLOW: 1.200 M3 / h.
WORKING TEMPERATURE: - 40° C / 120° C
ASSEMBLY POSITION: Indistinct.
GROSS WEIGHT: 0, 4 kg.
APPLICATION: Natural Gas Vehicular (N. G. V.); Fluid: Dry natural gas.



TECHNICAL DATA

DIMENSIONS:

